

Jennifer Newman | Linear table, bench and planter indoor/outdoor use

All-welded, no assembly required

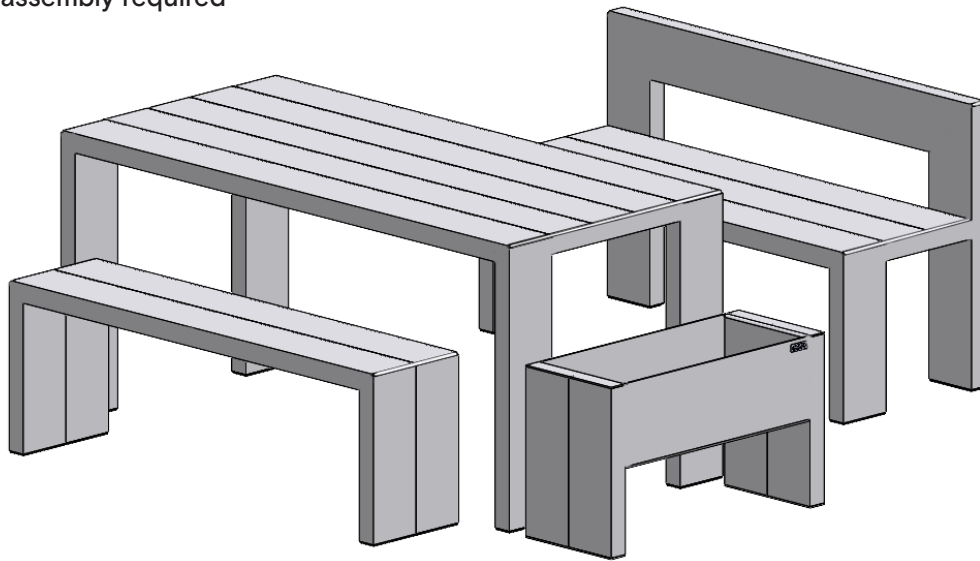
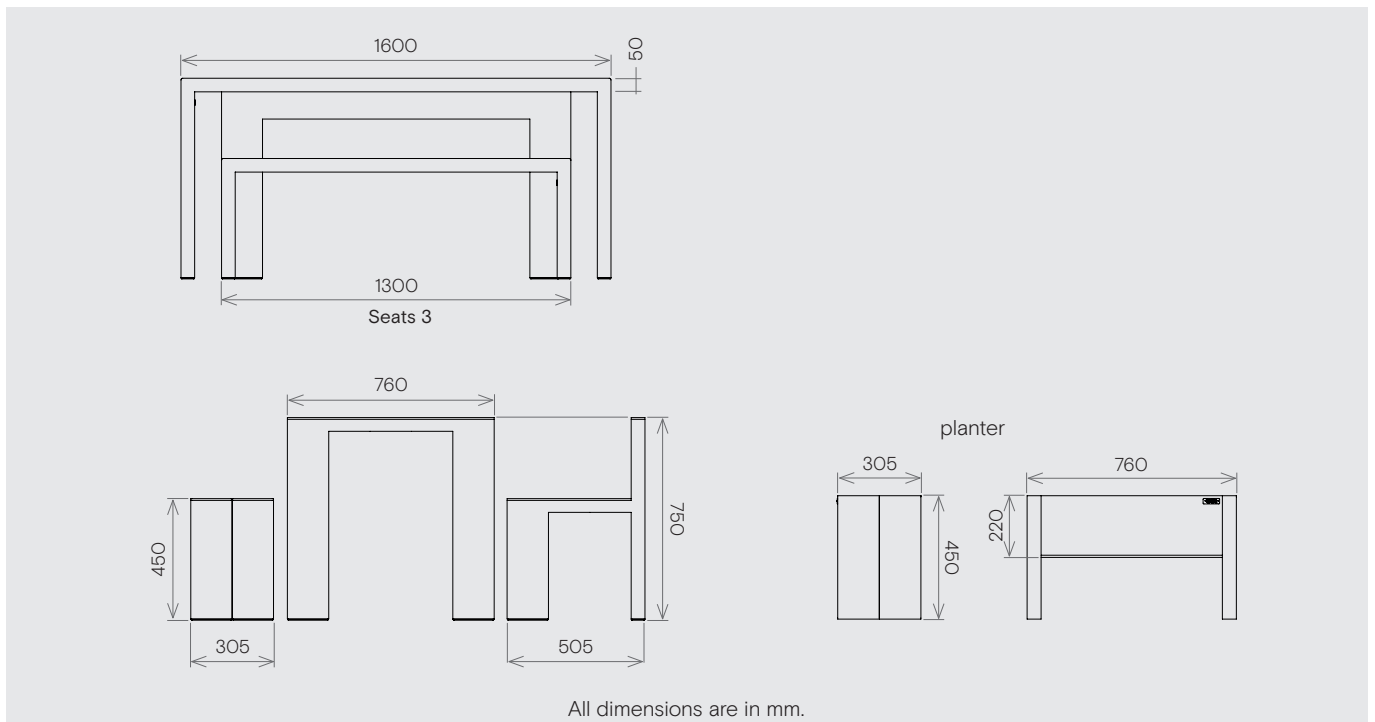


Table (seats 6)
1600w x 760d x 750h mm
Weight 40 kg

Bench
1300w x 305d x 450h mm
Weight 20 kg

Planter
760w x 305d x 450h mm
Weight 15 kg

Bench with back
1300w x 505d x 750h mm
Weight 25 kg



Fine texture powder-coat finish providing:

- High resistance to wear-and-tear
- Low-glare reflection
- Long life durability
- Ease of cleaning
- Low maintenance
- Anti-bacterial and Volatile-Organic-Compound free.

Other benefits and features:

- Aluminium for long-life, will not rust.
- Completely sealed construction.
- Table and bench withstand wind in exposed conditions.
- Bolt-down brackets available.
- 10 standard colours, others on request (see separate reference sheet).